

## DATA SHEET

# ULS-100 Insight laser scanner

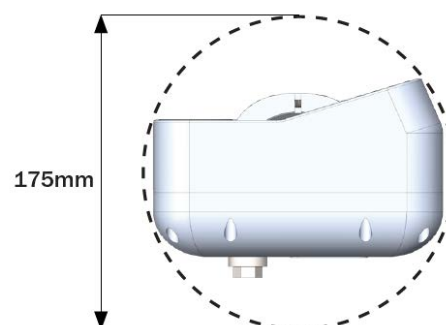
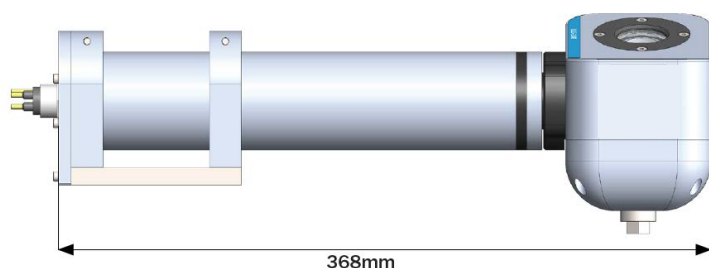


## Overview

- High resolution 3D models
- 360° rotation
- Short-range scans 0.13m to 1m range
- Live data stream



Performance	
Scan range	0.13m (minimum)   1m (maximum)
Points per line	480
Angle of view	50° (68° in air)
Rotational coverage	360°
Laser line resolution	0.1042° 0.25mm @ 0.13m   1.16mm @0.6m   1.94mm @1m
Rotational resolution	0.03mm @ 0.13m   0.19mm @ 0.6m   0.31mm @ 1m
Sample rate	Up to 4750 points / second   9.9 profiles / second
Electrical	
Power output / laser class	40mW   Class 3R
Laser wavelength	520nm
Integration	Vehicle integration   Direct tether to 2G Junction box
Power consumption	7W (maximum) 12-24 VDC (vehicl integration) 6 Watts (maximum) 120/240 VAC (Topside junction box)
Data interface	RS-485 half duplex (vehicle integration)   USB (direct tether)
Mechanical	
Weight	2.4kg (water)   4.3kg (air)
Depth rating	350m
Connectors	SubConn 4 pin MCBH4M
Operating temperature	-10°C to 40°C



## INSPECTION SPECIALISTS

Minimising Risk, Maximising Value

T: +44 (0) 1224 222 070 E: info@aisus.co.uk W: www.aisus.co.uk

A Valor company

